

The low cost ergonomic solution

Despite the low cost, Gladius arms offer a full range of ergonomic adjustment and a large gas-lift counterbalance range of monitor weights (2 to 9 kgs). It therefore makes the Gladius arms the obvious choice for large scale office fitouts, especially those with multiple monitor types. Gladius arms allow mounting of monitors with 75mm or 100mm VESA hole centres. Available as standard in black, the Gladius series is also available

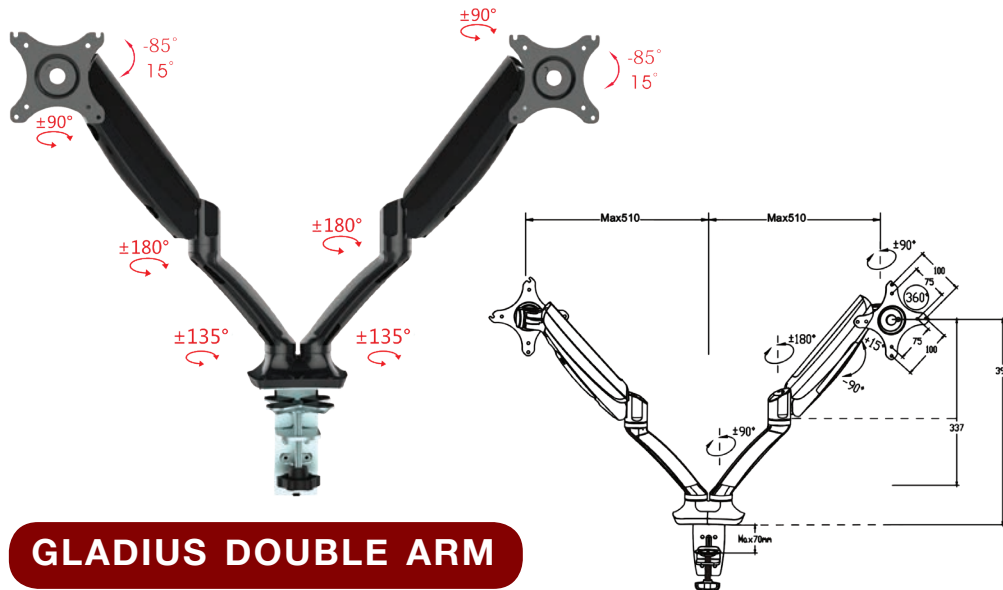
GLADIUS SINGLE & DOUBLE ARMS

in white for contract quantities with a longer lead time. On the double version, independent gas height adjustable arms allow you to mount different sized monitors side by side in the same focal plane, avoiding tiring re-focussing and compromised postures.



Features:

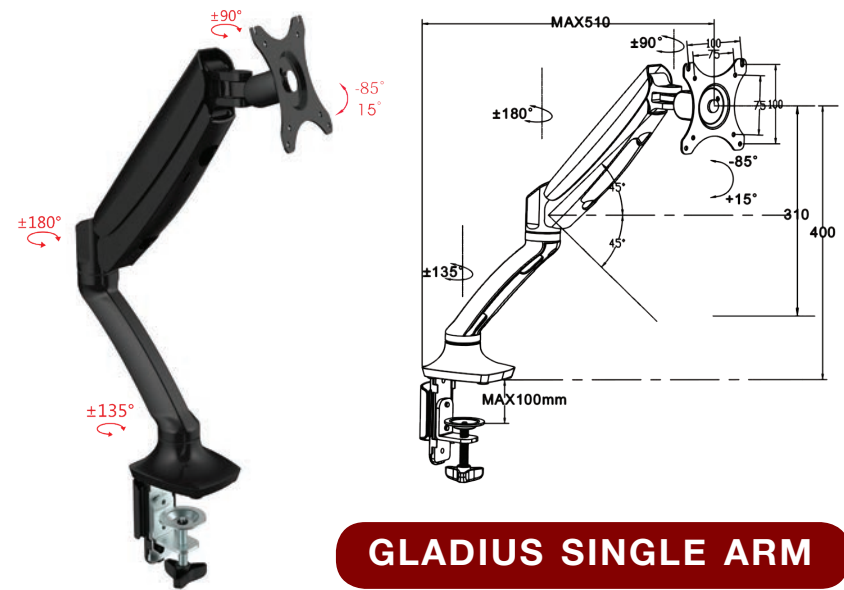
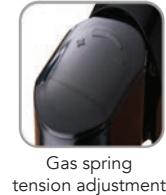
- Full rotation, 360 degrees at any position.
- Supports up to 30 inch monitors.
- 85 degrees upward, 15 degrees downward.
- Cable management.
- Both a clamp and grommet mount are included in the box.
- Tablet and laptop mounts also available.
- 10 year warranty.



GLADIUS DOUBLE ARM



Gas Spring Designed Monitor Arm



GLADIUS SINGLE ARM



Gas Spring Designed Monitor Arm