

Z I P ACOUSTIC DIVIDER SCREEN



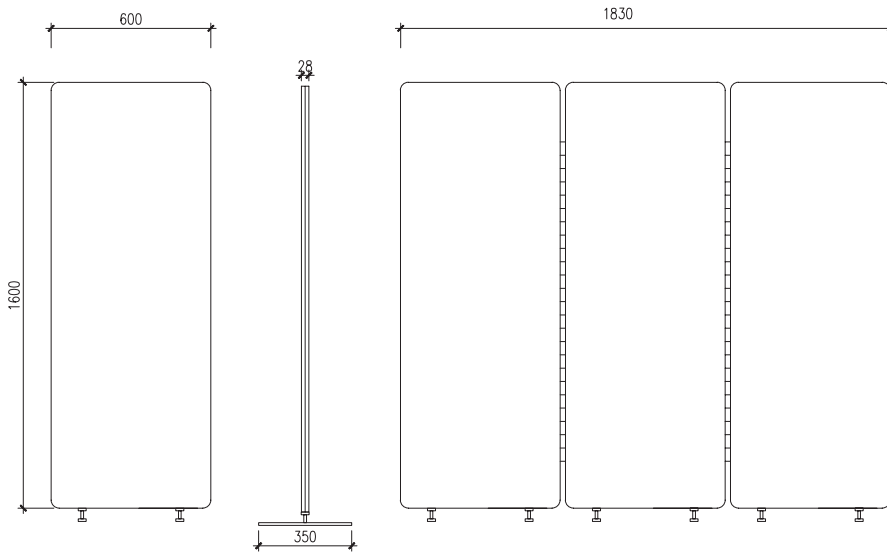
Z I P dividers are designed to divide larger areas into quieter, more functional spaces, providing an easy and cost-effective way to minimize the noise and visual distractions found in today's open work environment. Constructed from 100% recycled PET materials, Z I P dividers absorb up to 85% of ambient noise and easily zip together to create an innovative acoustic solution that allows workers to be more focused and productive while maintaining the benefits of collaboration.



Z I P ACOUSTIC DIVIDER SCREEN



- Rated to absorb 85% of ambient noise (NRC 0.85)
- Made from 100% recycled PET eco-friendly materials:
- Fabric: 100% Post-Consumer; Core: 60% Post-Consumer
- Offered as 3-pack with expansion panels sold separately
- Panels zip together making it easy to add more panels to extend the length
- Flexible zippers permit rotation between panels for more floor layout options
- Tackable fabric material ideal for brainstorming in collaborative spaces
- Available in 5 colors: Graphite, Silver, Marine, Sand and Copper



Clear Screen Protection



Straight Wave Screen

- Straight panels join to make extended protection
- Add with Curve Wave to make any shape
- Easily cleaned and disinfected 3mm perspex
- Anti-trip flat foot, great for open spaces
- Modular design - join as many as needed
- Strong inbuilt magnets join panels together easily

Code	Size
CSW1880-S	1800 x 800mm



Curved Wave Screen

- Curve panels join to make any shape
- Add with Straight wave to make any shape
- Perfect to fit around desks, for peripheral protection
- Easily cleaned and disinfected 3mm perspex
- Anti-trip flat foot, great for open spaces
- Modular design - join as many as needed
- Strong inbuilt magnets join panels together easily

Code	Size
CSW1880	1800 x 800mm



Element Mobile Screen

- Sturdy lockable castors allow it to be quickly moved
- Larger size suited to standing protection and room separation
- Australian made strong frame and 6mm polycarbonate
- Easily cleaned and disinfected

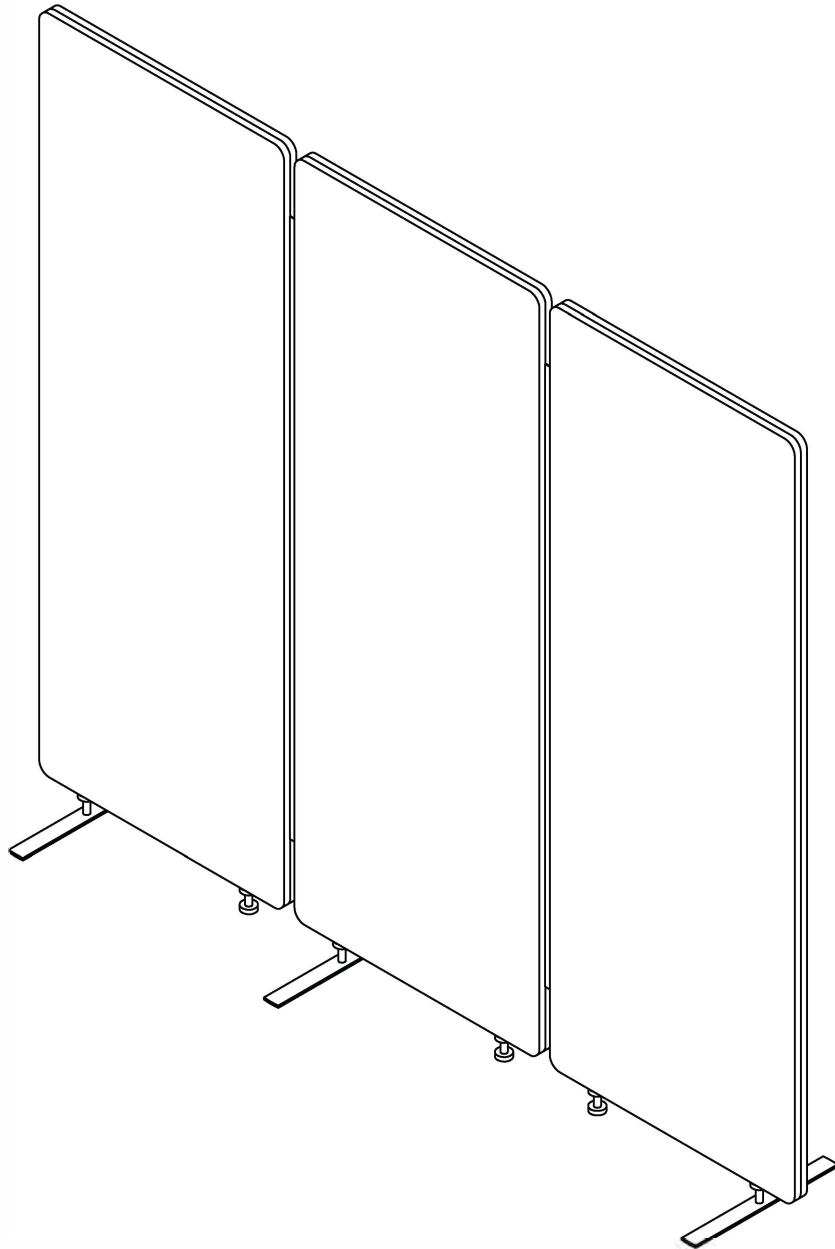
Code	Size
CSM1812	1800 x 1200mm

ENQUIRE TODAY!

Contact us on **1800 067 278**
or email orders@visionchart.com.au

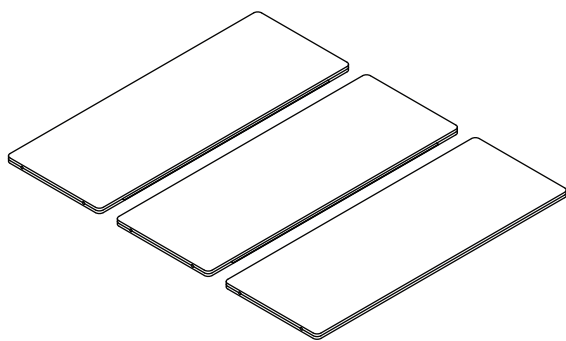
VISIONCHART

ZIP



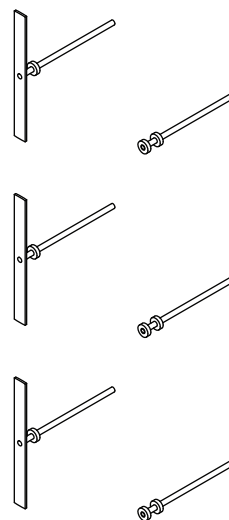
3-Panel or Multiple Set Installation

Parts: Box 1



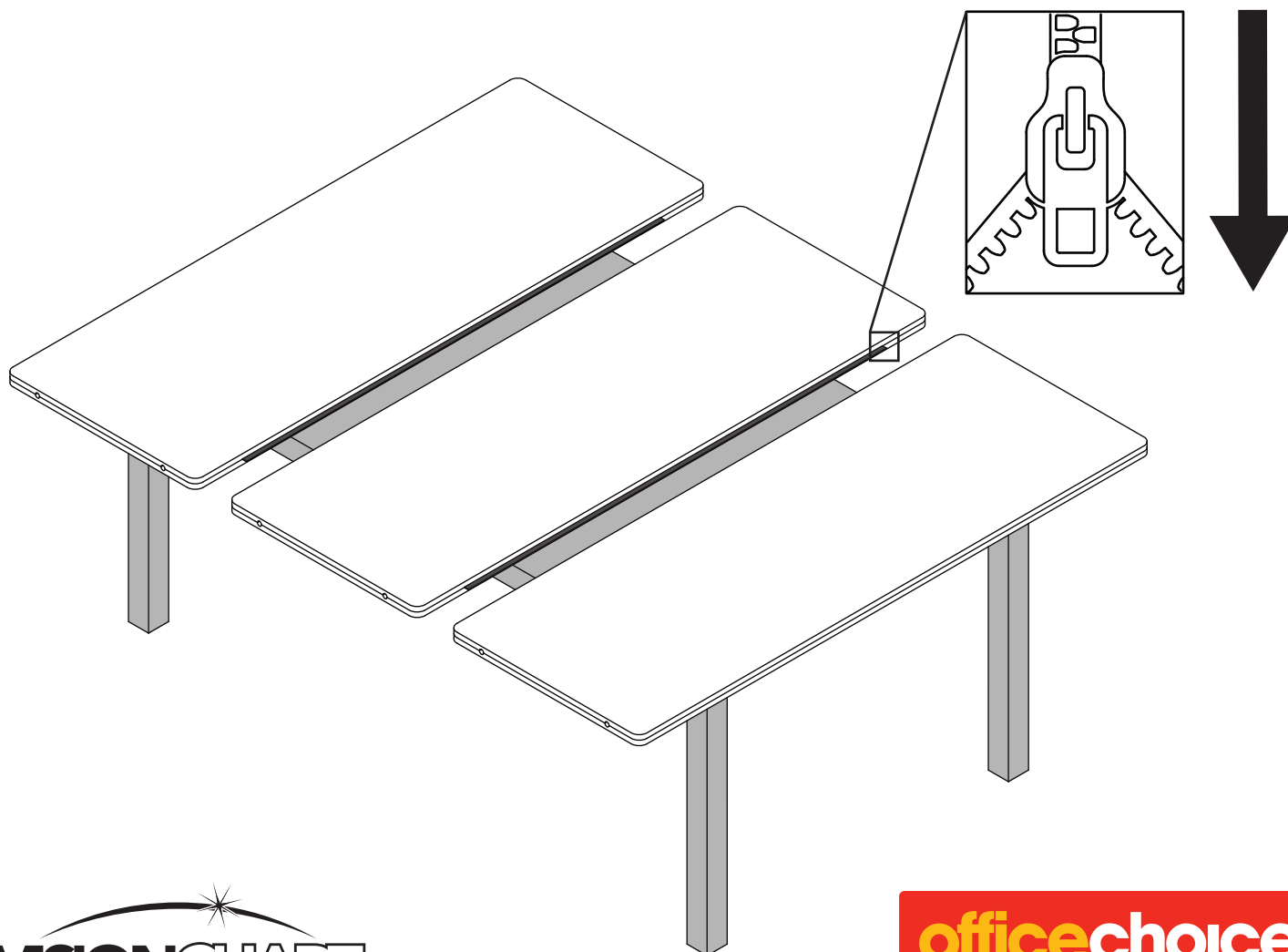
Room Divider Panel x3

Box 2

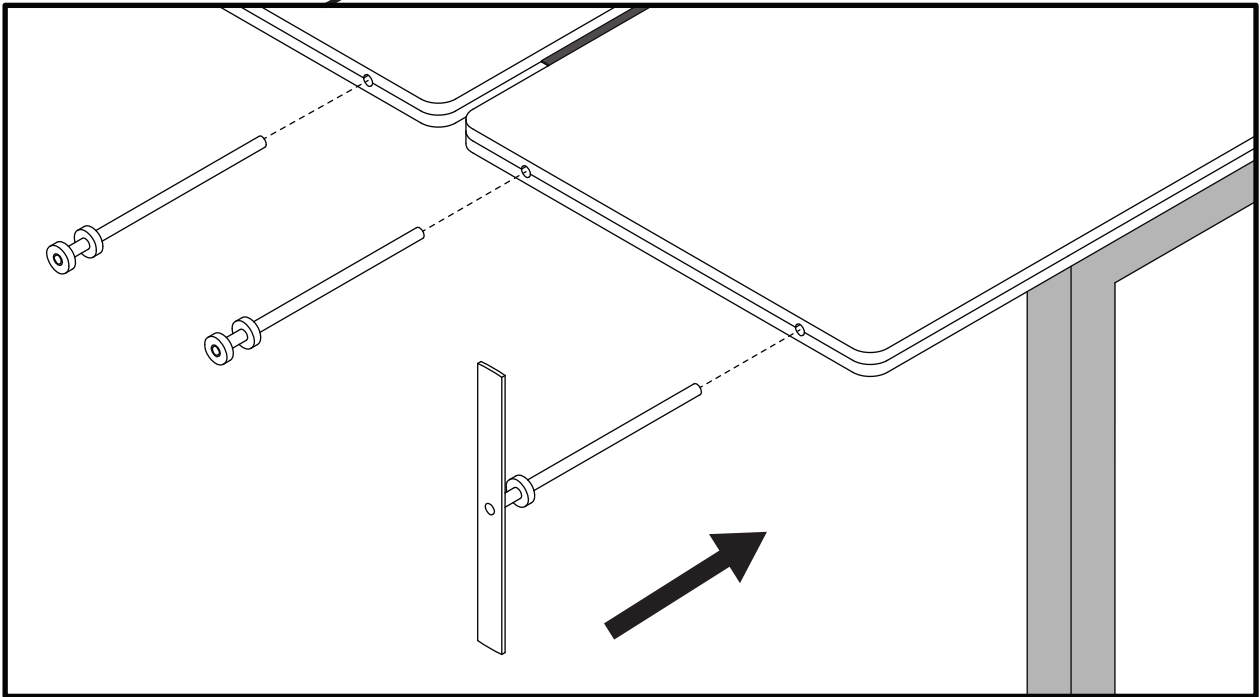
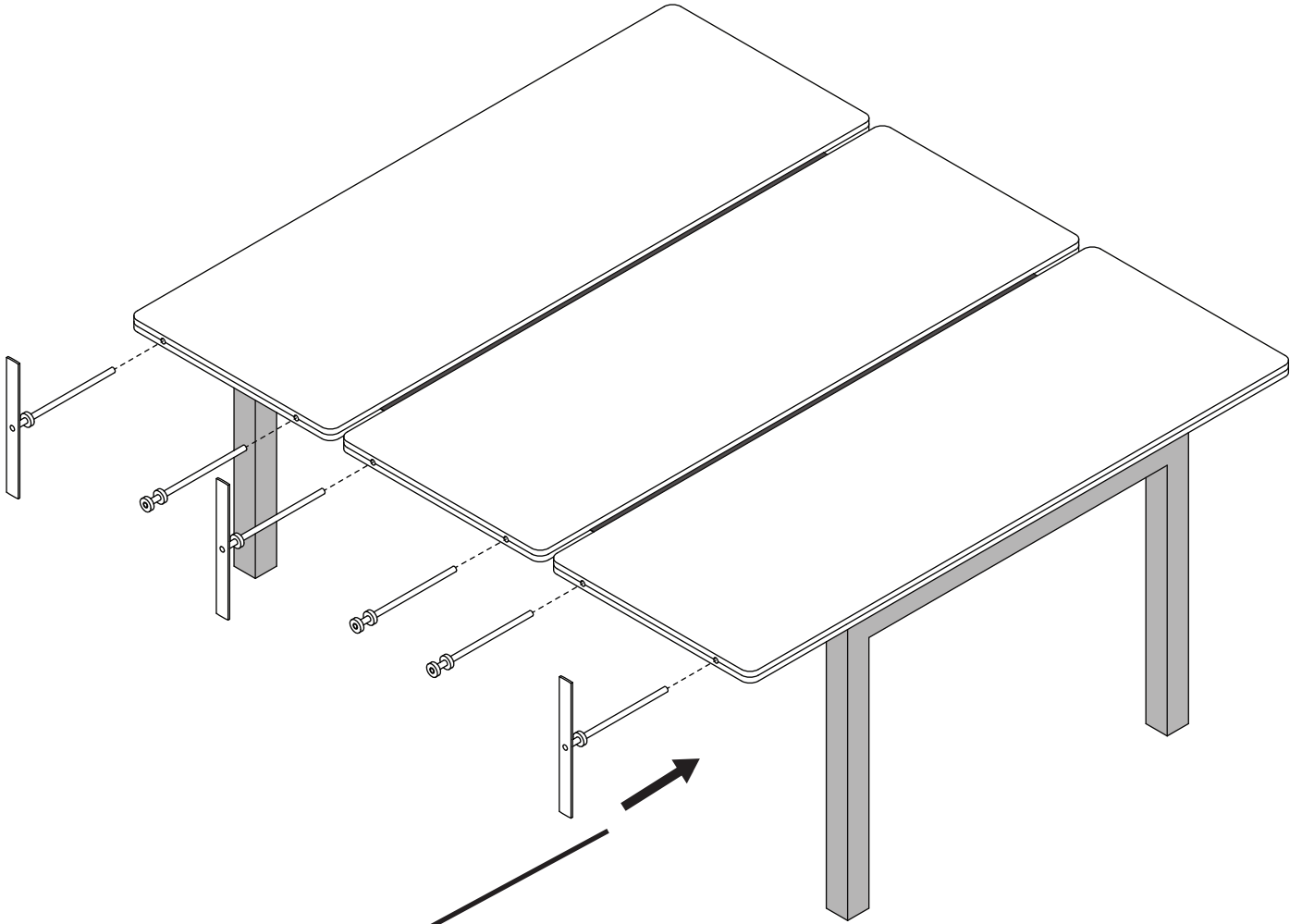


Flat Foot x3
Peg Foot x3

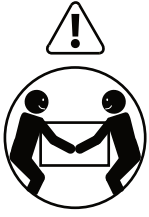
- 1 Start by laying the Room Divider Panels on a large, flat, stable surface. Please note that the Panel with zippers on both sides goes in the middle and the outside Panels should have the zippers facing inwards towards the middle Panel. Find the pre-drilled holes in the bottom of the dividers and make sure they are all on the same side of the table. Next, find the zipper tabs and make sure they are at the top of the Panels. Zip the Panels together by pulling the zipper tabs from the top of the panel all the way to the bottom of the zipper.



- ② Once the Panels are zipped together, gather the sets of feet for the Panels. Slide the feet in until the round disk on the foot is up against the Divider Panel. Please note the foot placement shown below. The Flat feet need to go on the outside of the end Panels for optimal stability.



- 2 With help, very carefully rotate Divider Panel off of flat surface into a standing position on the floor. For best results, make sure feet are flat and even against the floor.



Assistance
Recommended

