

mondo



Mondo Soho.

buroseating.com

Mondo by

buro
ergonomics at work®

Mondo Soho.

Eye-catchingly elegant.

Our elegant Mondo Soho desk chair is so much more than just charming curves. Behind the good looks is one seriously comfortable office chair. The Mondo Soho has your back with its strong 5-star base, easily adjustable seat height, smooth swivel action, and castors. It's ready to glide into action in your meeting room, touchdown workspace, or home office.

Key Features & Benefits.

- 160A-M2** Soho Light Grey
- 160A-M3** Soho Black



LIGHT GREY FRAME



MESH BACK

Breathable mesh back to help regulate temperature and keep you cool.

ADJUSTABLE SEAT AND BACK

Free floating or lockable seat and backrest angle.

International Standards.

The Mondo Soho is supported by the following Internationally recognised standards:

- **Certified ANSI/BIFMA** x5.1-2017 General-Purpose Office Chairs

Features.

- Adjustable seat height
- Synchronised adjustable seat and back rest angle
- Fixed armrests

Specifications. (mm)

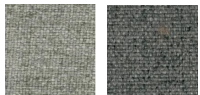
Overall	630w / 575d / 970h
Back	480w / 540h
Seat	450w / 480d
Seat Height	430-520h
Arm Height	620-710h

Carton Dimensions.

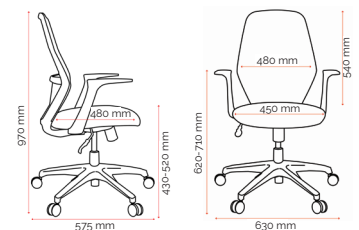
Width	280
Height	680
Length	590
Weight	10.6 kg

Upholstery.

Fabric²



Light Grey HE559-14 (M2)
Charcoal HE559-16 (M3)

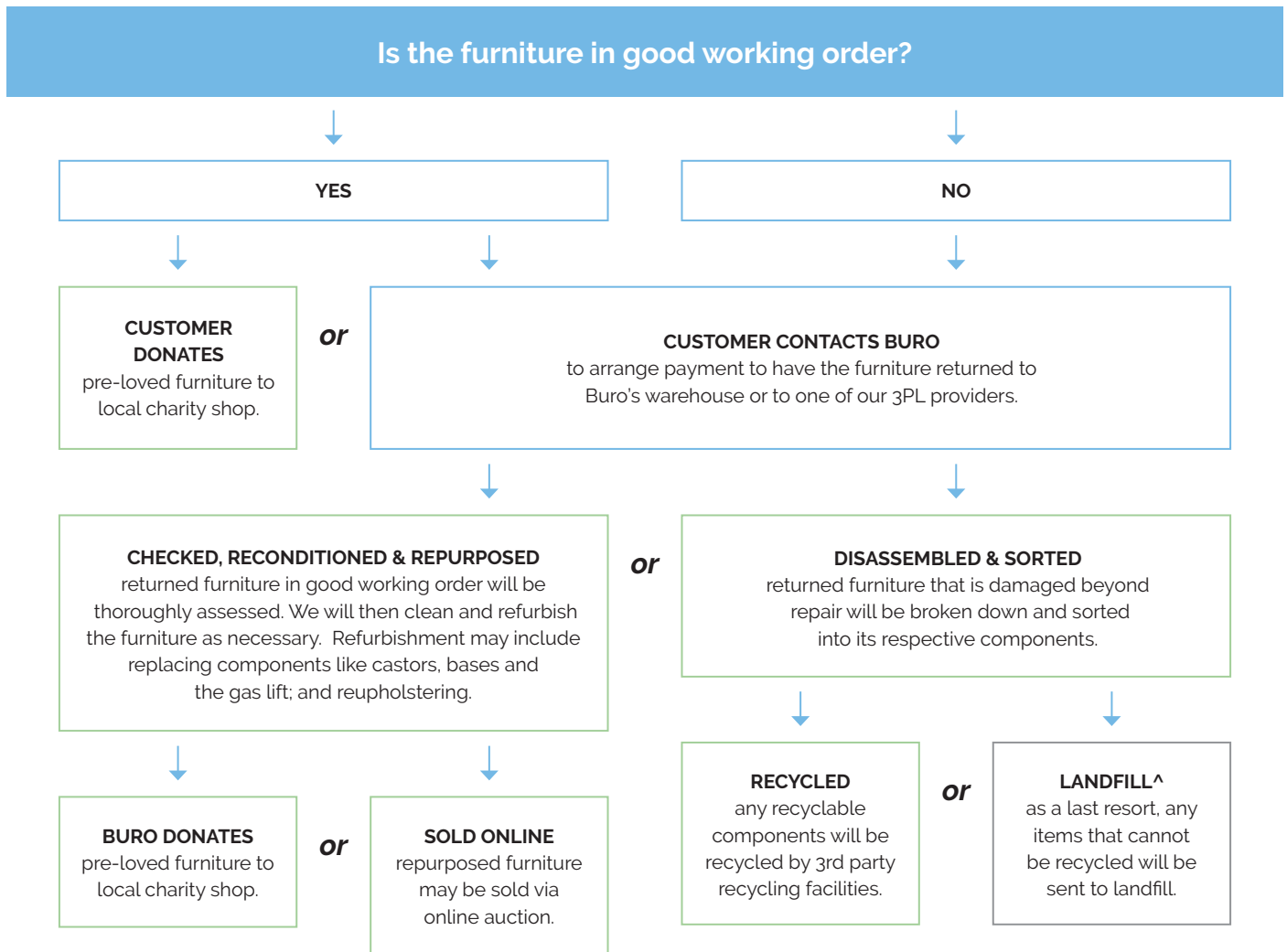


Quality Assurance and Accreditations.



Buro Product Stewardship Programme.

We encourage repurposing and recycling of pre-loved office furniture to reduce our impact on the environment. When a customer has Buro furniture* that they wish to dispose of, we apply the following steps to determine the most appropriate method.



To mitigate our CO2 footprint over the next 50 years, we're working with **Trees That Count**, a conservation charity dedicated to planting native trees.

By funding the planting of native trees, we're supporting efforts to increase biodiversity across New Zealand.

Buro proudly support **Greening Australia**.

Greening Australia has been restoring Australia's unique landscapes and protecting biodiversity at scale through collaborative, science-based programs for over 40 years.
www.greeningaustralia.org.au

As a **Sedex member** we are committed to being a responsible business, sourcing responsibly, and improving ethical standards and working conditions within the supply chain.

*Qualifying furniture must be Buro branded product (Buro Seating, Konfurb, Mondo), or a partner exclusive brand.
^Many of our products are GREENGUARD certified for safe emission levels. This reduces the environmental impact when sending any components to landfill.

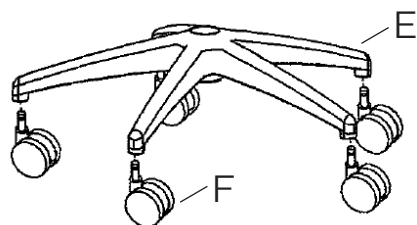
Assembly, Operating & Maintenance Instructions

mondo

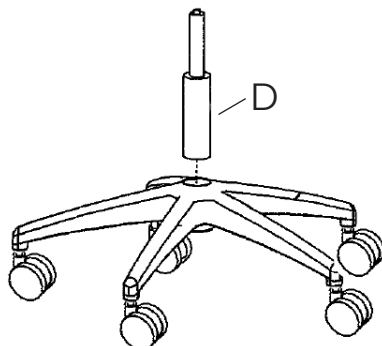
Remove all items from the carton. Verify all pieces before assembly.

MONDO SOHO CHAIR

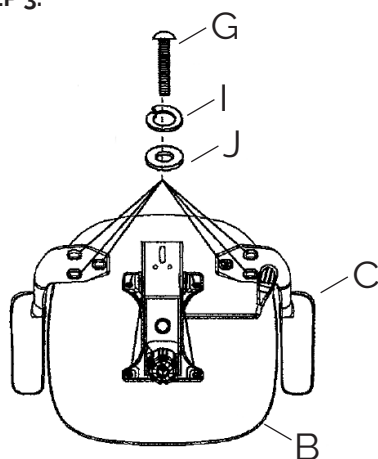
STEP 1.



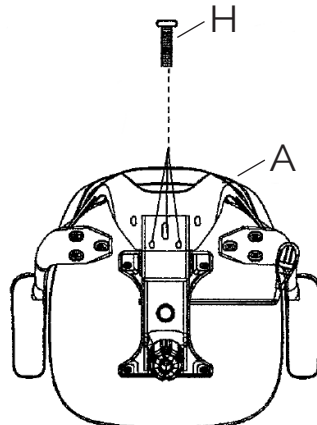
STEP 2.



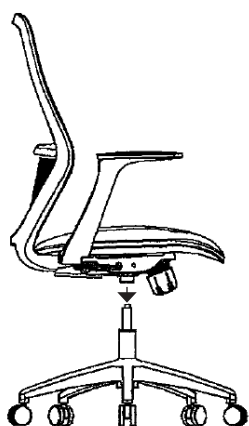
STEP 3.



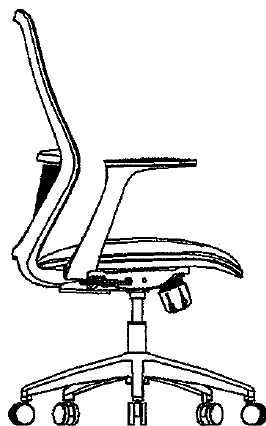
STEP 4.



STEP 5.



STEP 6.



PART LIST

KEY	QTY	DESCRIPTION
A	1	Backrest
B	1	Seat
C	2	Armrests
D	1	Gaslift
E	1	5 Star base
F	5	Castors
G	6	Armrest Screws (M6*45mm)
H	3	Back Screws (M8*20mm)
I	6	Spring Washer
J	6	Flat Washer
K	1	Allen Key

ASSEMBLY VIDEO

Scan here with your smart phone to watch our assembly video.



CARE & MAINTENANCE

GENERAL CARE

- To maintain the appearance of non-upholstered parts wipe the surface with a clean cloth dampened with a mild detergent solution.
- Do not remove any parts for separate cleaning.
- Do not saturate the fabric or interior with water or other cleaning liquids.
- Do not shampoo clean.
- Do not clean with hot water extraction machine.
- Do not clean with onsite drycleaning machine.
- Protect from direct sunlight, heat and weather.

FABRIC/MESH UPHOLSTERY CARE

- Wipe with a clean cloth dampened with a mild upholstery detergent solution.
- A soft bristle brush may be used to remove ingrained soil.
- Spot clean as above.
- Treat spills and stains as soon as possible.
- Persistent stains may require treatment by a professional cleaner.
- May be cleaned with dry powder cleaners.
- Allow to dry thoroughly before reuse.

UPHOLSTERY & FOAM SPECS*

FOAM

Flame Resistant: Ca117 Section A Part I & Section D Part II

UPHOLSTERY: FABRIC

Flame Resistance: Ca117 Section E Class I

*This applies only to standard Mondo stock. Any customer specified upholstery may not meet these specifications.

PREVENTATIVE MAINTENANCE & WARNING!

- Use this product only for seating one person at a time.
- Do not use this chair as a step stool/ladder.
- Do not sit on any part of the chair except the seat.
- Do not use this chair on uneven floor surfaces.
- Do not interfere with the operating of the gas lift.
- Do not use chair unless all bolts, screws and knobs are tight. At least every six months check all bolts, screws and knobs to ensure they are tight.

- If any parts are missing, broken, damaged or worn do not use the product until repairs are made using factory authorised parts.
- Dispose of packaging properly.
- Plastic bag is not a toy.
- Do not use plastic bag as a head covering as it may cause suffocation.
- Failure to follow these warnings could result in serious injury.

mondo

by Buro