

mondo



Mondo Tivoli Drafting.

buroseating.com

Mondo by
buro
ergonomics at work®

Mondo Tivoli Drafting.

Elevated productivity.

The Mondo Tivoli Drafting is a fabulous mesh drafting chair. If you've got a penchant for standing desks (especially a fixed-height standing desk), a high work station you sit at, or you're just one of those people who likes to sit at your standing height, the Mondo Tivoli Drafting chair is for you. The easy-to-use adjustment and comfy design, including a foot ring, supports you from head to toe in a relaxed position. You'll be blown away by your productivity! And the final touch: a ventilated mesh backrest. Voila!

Key Features & Benefits.

113-M3-AT Tivoli Drafting



Side view

Back angle view

MODERN MESH

You will stay cool and comfortable with this curved breathable mesh backrest.

CONTOURED

This mesh is designed to not only support you where it matters but also provide air flow.

REACH NEW HEIGHTS

Easily adjustable to keep yourself perfectly positioned to suit your workstation height.

HEAD TO TOE SUPPORT

Don't leave your legs dangling. Keep your feet perfectly perched and in an optimal ergonomic position.



Features.

- Mesh backrest
- Black powdercoated footring
- Ratchet height adjustable back
- Adjustable seat height
- 270mm architectural gas lift (111-6)

Custom Options.

- Height adjustable arms (180-2)
- 200mm gas lift (111-5)

Specifications. (mm)

Overall	670w / 670d / 1100h
Back	500w / 500h
Seat	500w / 470d
Seat Height	650 - 910h

Carton Dimensions.

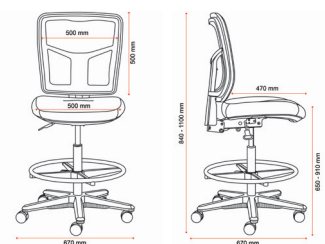
Width	670
Height	355
Length	650
Weight	18 kg

Upholstery.

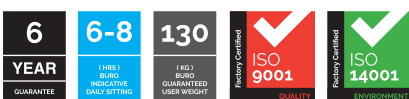
Dove



Black
5806
(M3)



Quality Assurance and Accreditations.



Buro Product Stewardship Programme.

We encourage repurposing and recycling of pre-loved office furniture to reduce our impact on the environment. When a customer has Buro furniture* that they wish to dispose of, we apply the following steps to determine the most appropriate method.



To mitigate our CO2 footprint over the next 50 years, we're working with **Trees That Count**, a conservation charity dedicated to planting native trees.

By funding the planting of native trees, we're supporting efforts to increase biodiversity across New Zealand.

Buro proudly support **Greening Australia**.

Greening Australia has been restoring Australia's unique landscapes and protecting biodiversity at scale through collaborative, science-based programs for over 40 years.
www.greeningaustralia.org.au

As a **Sedex member** we are committed to being a responsible business, sourcing responsibly, and improving ethical standards and working conditions within the supply chain.

*Qualifying furniture must be Buro branded product (Buro Seating, Konfurb, Mondo), or a partner exclusive brand.

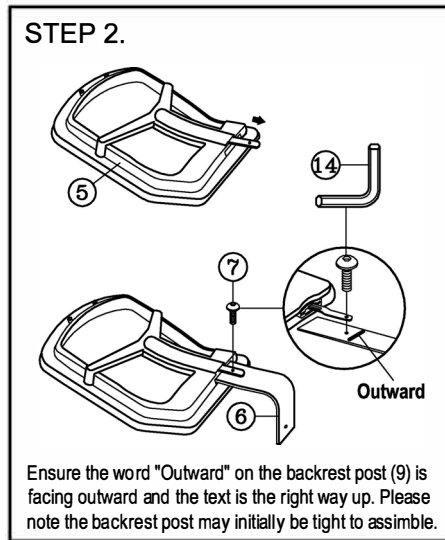
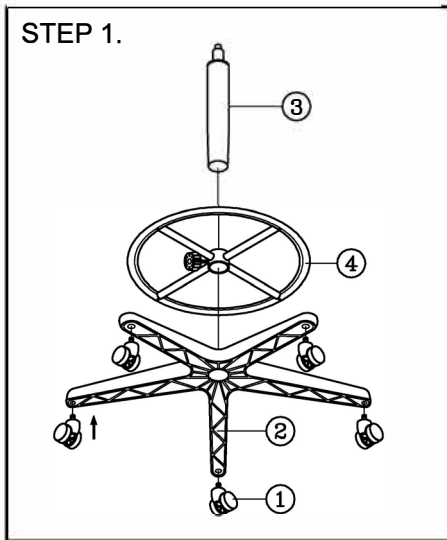
^Many of our products are GREENGUARD certified for safe emission levels. This reduces the environmental impact when sending any components to landfill.

Assembly, Operating & Maintenance Instructions

Remove all items from the carton. Verify all pieces before assembly.

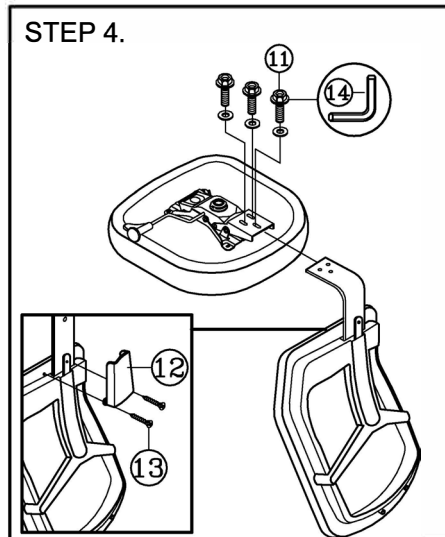
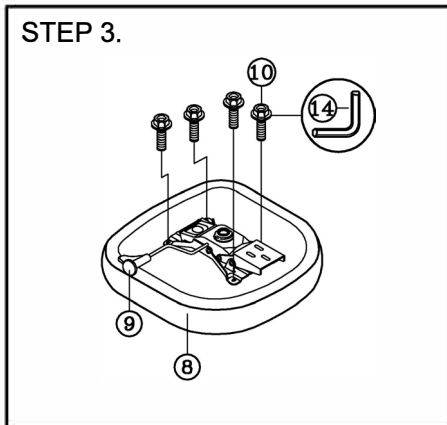
mondo

MONDO TIVOLI DRAFTING CHAIR



PARTS LIST

KEY	QTY	DESCRIPTION
1	5	Castors
2	1	Base
3	1	Gas Lift
4	1	Footring
5	1	Backrest
6	1	Backrest Post
7	1	Backrest Screw
8	1	Seat
9	1	Mechanism
10	6	Mechanism Screw
11	1	Backrest Bolt
12	1	Back Post Bellow
13	2	Back Post Bellow Screws
14	1	M5 Size Allen Wrench



MECHANISM OPERATING INSTRUCTIONS

IMPORTANT NOTE:

Do not operate the mechanism levers unless properly seated in the chair.



(A) SEAT HEIGHT ADJUSTMENT :
Pull lever up and downward.
Release lever when desired position is reached.

CARE & MAINTENANCE

GENERAL CARE

To maintain the appearance of non-upholstered parts wipe the surface with a clean cloth dampened with a mild detergent solution.

Do not remove any parts for separate cleaning.

Do not saturate the fabric or interior with water or other cleaning liquids.

Do not shampoo clean.

Do not clean with hot water extraction machine.

Do not clean with onsite drycleaning machine.

Protect from direct sunlight, heat and weather.

FABRIC UPHOLSTERY CARE

Wipe with a clean cloth dampened with a mild upholstery detergent solution.

A soft bristle brush may be used to remove ingrained soil. Spot clean as above.

Treat spills and stains as soon as possible. Persistent stains may require treatment by a professional cleaner.

May be cleaned with dry powder cleaners.

Allow to dry thoroughly before reuse.

UPHOLSTERY & FOAM SPECS*

Flame Resistance: Ca117 Section A Part I & Section D Part II

UPHOLSTERY

Flame Resistance: Ca117 Section E Class I

*This applies only to standard Buro stock. Any customer specified upholstery may not meet these specifications.

OPERATING INSTRUCTIONS!

RECOMMENDED SEATING POSITION & ADJUSTMENTS:

- Sit in the chair, adjust the seat tilt so that it is approximately horizontal or inclined slightly forward, to allow an angle greater than 90° at the knees and the hips.
- Adjust the seat height so that your feet are resting flat on the floor. For good circulation, your lower legs should form a 90° angle with the floor, with your feet taking the weight of your legs.
- Adjust the backrest tilt function accordingly, to give your back firm support while sitting upright.
- Adjust the height of the backrest to give support to the lumbar region of your back.
- Your forearms should be close to horizontal as possible when working at a desk.

BACKREST INSTRUCTIONS:

- The backrest (6) height adjustment operation, may initially be tight to raise and lower when new. This is normal and a standard factory tolerance setting.

To achieve smooth operation raise and lower the backrest multiple times before using the chair.



PREVENTATIVE MAINTENANCE & WARNING!

- Use this product only for seating one person at a time.
- Do not use this chair as a step stool / ladder.
- Do not sit on any part of the chair except the seat.
- Do not use this chair on uneven floor surfaces.
- Do not interfere with the operating of the gas lift.
- Do not use chair unless all bolts, screws and knobs are tight. At least every six months check all bolts, screws and knobs to ensure they are tight.
- If any parts are missing, broken, damaged or worn do not use the product until repairs are made using factory authorised parts.
- Dispose of packaging properly.
- Plastic bag is not a toy.
- Do not use plastic bag as a head covering as it may cause suffocation.
- Failure to follow these warnings could result in serious injury.