

**buroseating**

HOSPITALITY

**Buro Peekaboo.**  
Stool.

[buroseating.com](https://buroseating.com)

Buro Seating by

**buro**  
ergonomics at work®

# Buro Peekaboo.

## Award winning design.

The Buro Peekaboo student stool is strong and stable, perfect for any learning space. Due to its minimalist contemporary design, stools also suit office and hospitality spaces. Made from durable plastic, it is lightweight and stackable for easy storage. The award-winning design prevents the 'vacuum effect' when stacked together, and unstacks as easily as it stacks.

The Buro Peekaboo is available in a range of fun colours.

### Key Features & Benefits.

---

139 Peekaboo



#### UNIQUE BACKREST

Soft peel shaped top acts as a backrest and carry handle for effortless movement.

#### STACKABLE

Stack up to 14 peekaboos for easy storage.

#### MULTIPURPOSE

Suitable for both indoor and outdoor use.

## International Awards.

The Buro Peekaboo stool has achieved the following award:

- **iF DESIGN** Award 2020

## Features.

- Solid and lightweight design
- Stackable
- Open backrest design for easy handling
- Suitable for both indoor and outdoor use<sup>2</sup>
- 100% Recyclable

### Custom Options.

- Custom colours (indent only)
- Trolley for easy movement of stacked stools (4ZZ111-P81Z1)

## Specifications. (mm)

Overall	400w / 410d / 467h
Back	50h
Seat	340w / 300d
Seat Height	425h

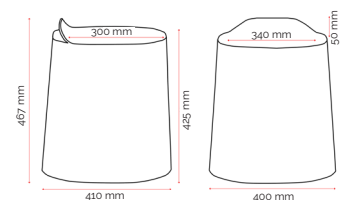
Recommended safe stacking height:

- Floor Stacking 14 stools
- Trolley Stacking 14 stools

MOQ: 4 Stools (per colour)

## Colours.

Colours <sup>3</sup>



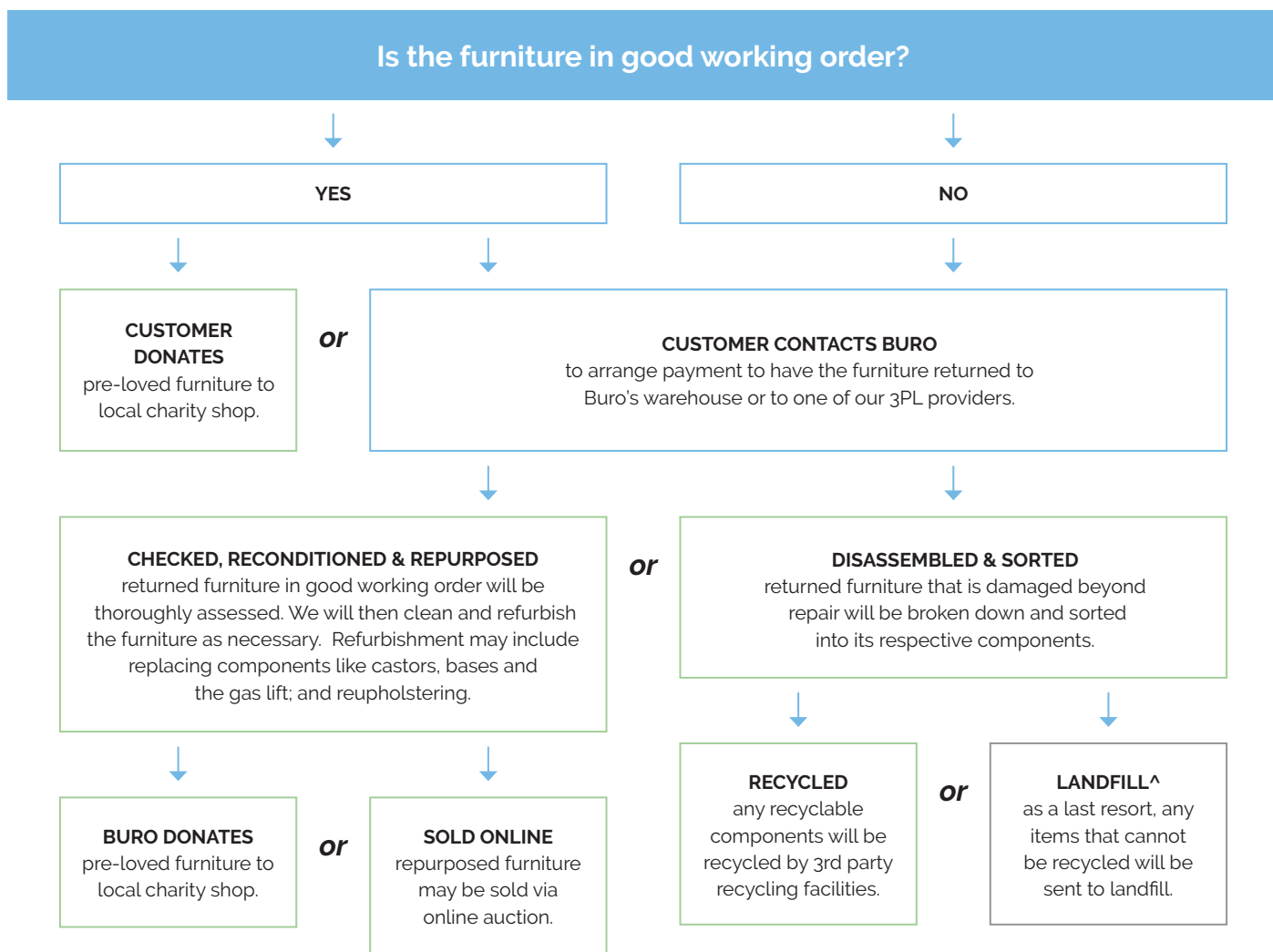
## Quality Assurance and Accreditations.



<sup>1</sup> 3 Yr Guarantee: Indoor use. <sup>2</sup> 1 Yr Guarantee: Outdoor use. Exposure to harsh UV levels puts the aesthetics of the polypropylene materials at risk of colour deterioration. Buro Peekaboo contains stabilisers, however some colour fading may appear. <sup>3</sup> Colours: Same day dispatch. <sup>4</sup> Colours: For custom colours, MOQ and ETA's can be supplied on request. **General:** Guarantee conditions apply, please see buroseating.com. For indent purchases (non stock orders) conditions may apply, please see buroseating.com for definitions & conditions. In the interests of product development, Buro reserves the right to alter product specifications & features without notice. **Warning:** Buro Peekaboo is designed for use as a chair - DO NOT use as a step-stool/ladder.

# Buro Product Stewardship Programme.

We encourage repurposing and recycling of pre-loved office furniture to reduce our impact on the environment. When a customer has Buro furniture\* that they wish to dispose of, we apply the following steps to determine the most appropriate method.



To mitigate our CO2 footprint over the next 50 years, we're working with **Trees That Count**, a conservation charity dedicated to planting native trees.

By funding the planting of native trees, we're supporting efforts to increase biodiversity across New Zealand.

**Buro** proudly support **Greening Australia**.

Greening Australia has been restoring Australia's unique landscapes and protecting biodiversity at scale through collaborative, science-based programs for over 40 years.  
[www.greeningaustralia.org.au](http://www.greeningaustralia.org.au)

As a **Sedex member** we are committed to being a responsible business, sourcing responsibly, and improving ethical standards and working conditions within the supply chain.

\*Qualifying furniture must be Buro branded product (Buro Seating, Konfurb, Mondo), or a partner exclusive brand.

^Many of our products are GREENGUARD certified for safe emission levels. This reduces the environmental impact when sending any components to landfill.

# Assembly, Operating & Maintenance Instructions

# buroseating

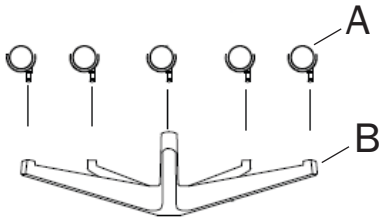
Remove all items from the carton. Verify all pieces before assembly.

## BURO DAKOTA II CHAIR

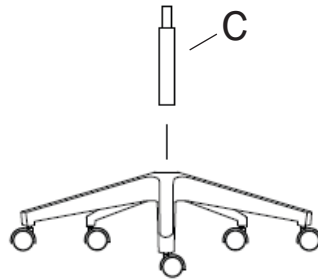
## PART LIST

KEY	QTY	DESCRIPTION
A	5	Castors
B	1	Base
C	1	Gaslift
D	1	Seat
E	1	Armrests
F	1	Backrest
G	8	M6 Screws
H	8	Screw Cover
I	1	Allen Key

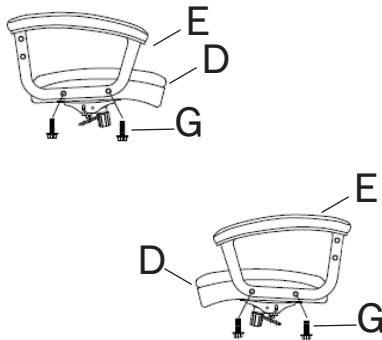
### STEP 1.



### STEP 2.

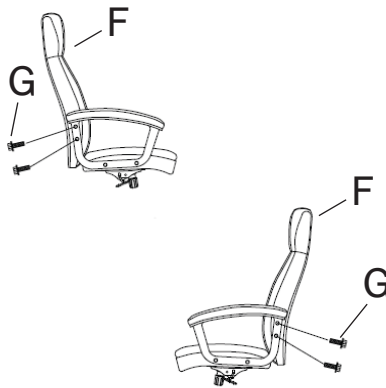


### STEP 3.



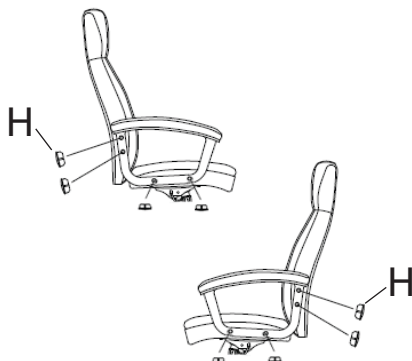
DO NOT fully tighten Screws (G)

### STEP 4.



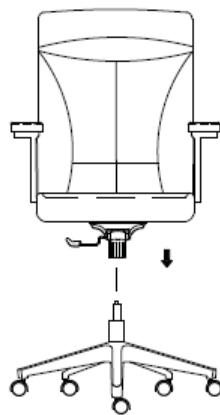
DO NOT fully tighten Screws (G)

### STEP 5.



FULLY tighten Screws (G) and then attach Screw Cover (H)

### STEP 6.



## CARE & MAINTENANCE

### GENERAL CARE

To maintain the appearance of non-upholstered parts wipe the surface with a clean cloth dampened with a mild detergent solution. Do not remove any parts for separate cleaning. Do not saturate the fabric or interior with water or other cleaning liquids. Do not shampoo clean.

Do not clean with hot water extraction machine. Do not clean with onsite drycleaning machine. Protect from direct sunlight, heat and weather.

### UPHOLSTERY CARE FOR PU/PVC

Wipe with a clean cloth dampened with a mild upholstery detergent solution • Use only vinyl care products suitable for upholstery vinyl and strictly in accordance with the manufacturer's instructions • Spot clean as above • Treat spills and stains as soon as possible • Persistent stains may require treatment by a professional cleaner • Allow to dry thoroughly before reuse.

## UPHOLSTERY & FOAM SPECS\*

### FOAM

Flame Resistant: Ca117 Section A Part I & Section D Part II

### UPHOLSTERY: PU/PVC

Flame Resistance: Ca117 Section E Class I

\*This applies only to standard Buro stock. Any customer specified upholstery may not meet these specifications.

## PREVENTATIVE MAINTENANCE & WARNING!

- Use this product only for seating one person at a time.
- Do not use this chair as a step stool/ladder.
- Do not sit on any part of the chair except the seat.
- Do not use this chair on uneven floor surfaces.
- Do not interfere with the operating of the gas lift.
- Do not use chair unless all bolts, screws and knobs are tight. At least every six months check all bolts, screws and knobs to ensure they are tight.
- If any parts are missing, broken, damaged or worn do not use the product until repairs are made using factory authorised parts.
- Dispose of packaging properly.
- Plastic bag is not a toy.
- Do not use plastic bag as a head covering as it may cause suffocation.
- Failure to follow these warnings could result in serious injury.