

buroseating

PERFORMANCE



Buro Elan.

[buroseating.com](https://buroseating.com)

Buro Seating by

**buro**  
ergonomics at work®

# Buro Elan.

## Elegant and ergonomic.

The Buro Elan is an office chair with a graceful appearance, elegant lines and advanced ergonomic features including a synchro mechanism, breathable mesh back, depth adjustable seat slide, lumbar support and optional headrest. Choose from a black or light grey frame to complement the workplace or home office interior.

### Key Features & Benefits.

159A Elan with arms



**HEADREST**  
Light Grey

#### **MESH BACK**

Breathable mesh back to help regulate temperature and keep you cool.

#### **SEAT SLIDE**

Adjusts the seat depth to accommodate taller users and/or longer leg lengths.

#### **SYNCHRONISED MECH**

Free floating or lockable synchronised seat and back tilt to encourage movement



## International Standards.

The Buro Elan is supported by the following Internationally recognised standards:

- Meets **ANSI/BIFMA** x5.1-2017 General-Purpose Office Chairs

## Ergonomic Assessment.

The Buro Elan has been ergonomically assessed by Andrew Wilson, Osteopath & Ergonomist.

*"A very good seat featuring a synchronised mechanism. It will suit a wide range of users. Highly recommended".*

Andrew Wilson, Osteopath & Ergonomist - 2 Nov 2022

## Features.

- Adjustable seat height
- Adjustable lumbar support
- Height and width adjustable arms
- Synchronised seat and back tilt
- Adjustable seat depth

## Specifications. (mm)

Overall	495w / 635d / 1010h
Back	485w / 635h
Seat	520w / 455d
Seat Height	460-560h
Seat Depth Range*	450-500d
Headrest (optional)	295w / 165h

### Carton Dimensions.

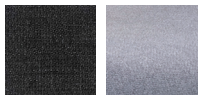
Width	320
Height	730
Length	640
Weight	17.1 kg

### Custom Options.

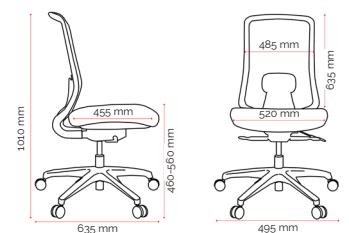
- Height adjustable headrest  
(Black: 159-M3-HDREST/Grey: 159-M2-HDREST)

## Upholstery.

### Fabric



Black<sup>2</sup> LE5000-16 (M3)  
Light Grey<sup>2</sup> LE5000-09 (M2)



## Quality Assurance and Accreditations.

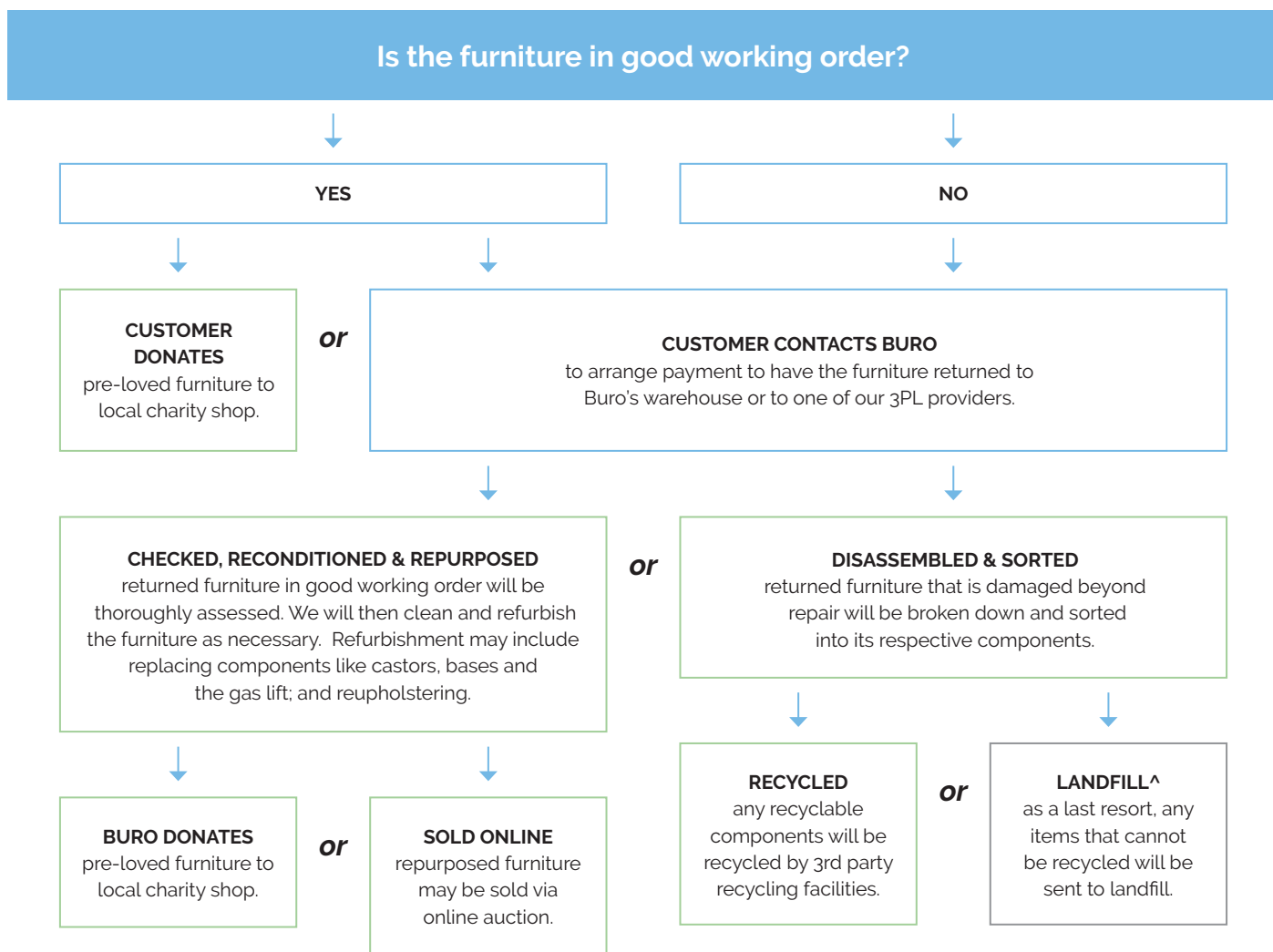


<sup>1</sup>10 Yr Guarantee: Excludes upholstery. <sup>2</sup>Fabric: Same day dispatch. \*Seat Depth Adjustment: Measured from back lumbar to front seat edge. General: Guarantee conditions apply, please see buroseating.com. For indent purchases (non stock orders) conditions may apply, please see buroseating.com for definitions & conditions. In the interests of product development, Buro reserves the right to alter product specifications & features without notice.



# Buro Product Stewardship Programme.

We encourage repurposing and recycling of pre-loved office furniture to reduce our impact on the environment. When a customer has Buro furniture\* that they wish to dispose of, we apply the following steps to determine the most appropriate method.



To mitigate our CO2 footprint over the next 50 years, we're working with **Trees That Count**, a conservation charity dedicated to planting native trees.

By funding the planting of native trees, we're supporting efforts to increase biodiversity across New Zealand.

**Buro** proudly support **Greening Australia**.

Greening Australia has been restoring Australia's unique landscapes and protecting biodiversity at scale through collaborative, science-based programs for over 40 years.  
[www.greeningaustralia.org.au](http://www.greeningaustralia.org.au)

As a **Sedex member** we are committed to being a responsible business, sourcing responsibly, and improving ethical standards and working conditions within the supply chain.

\*Qualifying furniture must be Buro branded product (Buro Seating, Konfurb, Mondo), or a partner exclusive brand.

^Many of our products are GREENGUARD certified for safe emission levels. This reduces the environmental impact when sending any components to landfill.

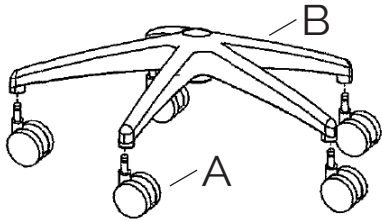
# Assembly, Operating & Maintenance Instructions

Remove all items from the carton. Verify all pieces before assembly.

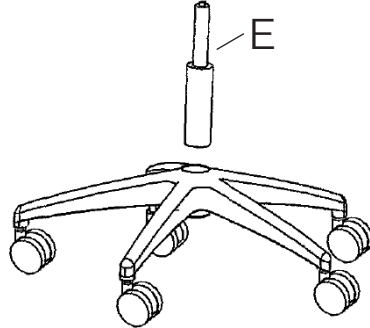
# buroseating

## BURO ELAN CHAIR

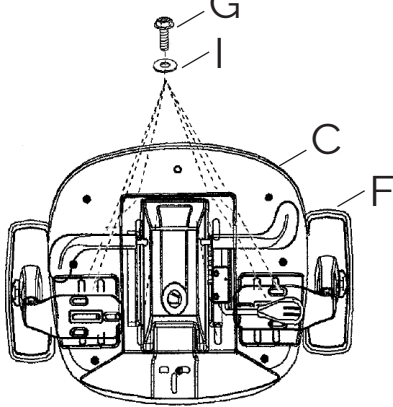
STEP 1.



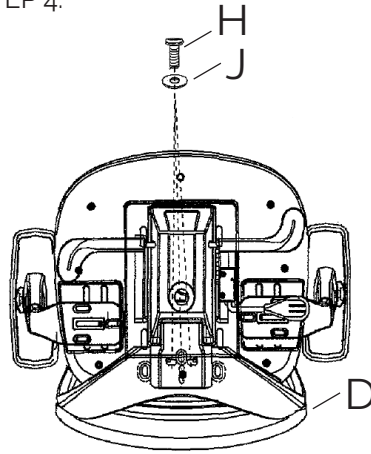
STEP 2.



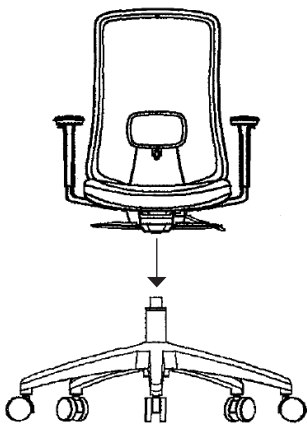
STEP 3.  
With Arms Model Only



STEP 4.

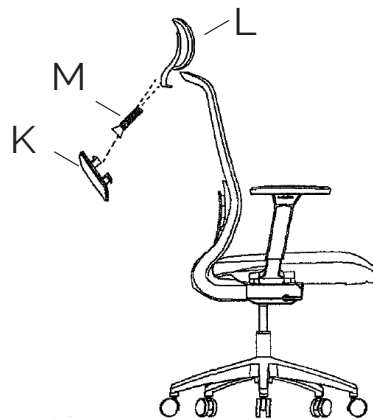


STEP 5.



STEP 6.

With Headrest Model Only



## PART LIST

KEY	QTY	DESCRIPTION
A	5	Castors
B	1	Base
C	1	Seat
D	1	Backrest
E	1	Gaslift
F	2	Armrest
G	6	Armrest Screw M6 40mm <sup>^</sup>
H	3	Backrest Screw M8 20mm
I	6	Armrest M6 Washer <sup>^</sup>
J	3	Backrest Washer M8
K	1	Headrest Plate <sup>*</sup>
L	1	Headrest <sup>*</sup>
M	2	Headrest M6 25mm Screw <sup>*</sup>
N	1	Allen Key

<sup>^</sup>With Arms Model Only <sup>\*</sup>With Headrest Model Only

## CARE & MAINTENANCE

### GENERAL CARE

To maintain the appearance of non-upholstered parts wipe the surface with a clean cloth dampened with a mild detergent solution. Do not remove any parts for separate cleaning. Do not saturate the fabric or interior with water or other cleaning liquids. Do not shampoo clean. Do not clean with hot water extraction machine. Do not clean with onsite drycleaning machine. Protect from direct sunlight, heat and weather.

### FABRIC UPHOLSTERY CARE

Wipe with a clean cloth dampened with a mild upholstery detergent solution. A soft bristle brush may be used to remove ingrained soil. Spot clean as above. Treat spills and stains as soon as possible. Persistent stains may require treatment by a professional cleaner. May be cleaned with dry powder cleaners. Allow to dry thoroughly before reuse.

## UPHOLSTERY & FOAM SPECS\*

### FOAM

Flame Resistant: Ca117 Section A Part I & Section D Part II

### UPHOLSTERY: FABRIC

Flame Resistance: Ca117 Section E Class I

\*This applies only to standard Buro stock. Any customer specified upholstery may not meet these specifications.

## PREVENTATIVE MAINTENANCE & WARNING!

- Use this product only for seating one person at a time.
- Do not use this chair as a step stool/ladder.
- Do not sit on any part of the chair except the seat.
- Do not use this chair on uneven floor surfaces.
- Do not interfere with the operating of the gas lift.
- Do not use chair unless all bolts, screws and knobs are tight. At least every six months check all bolts, screws and knobs to ensure they are tight.
- If any parts are missing, broken, damaged or worn do not use the product until repairs are made using factory authorised parts.
- Dispose of packaging properly.
- Plastic bag is not a toy.
- Do not use plastic bag as a head covering as it may cause suffocation.
- Failure to follow these warnings could result in serious injury.